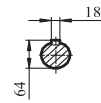
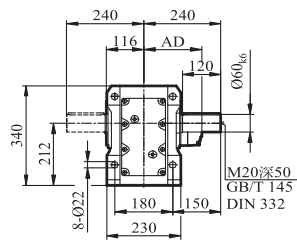
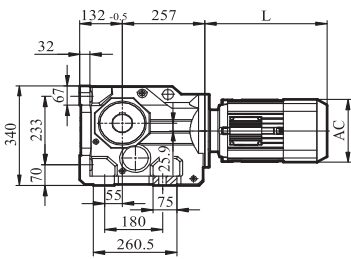
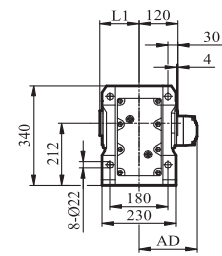


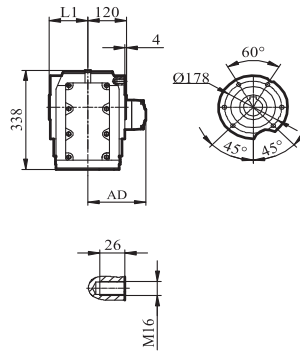
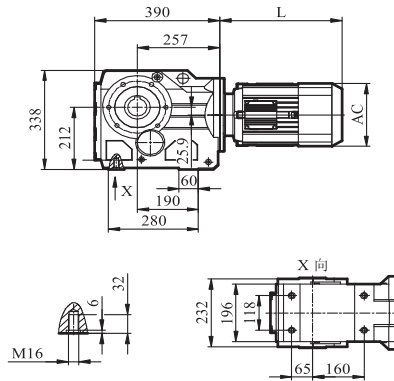
GK87



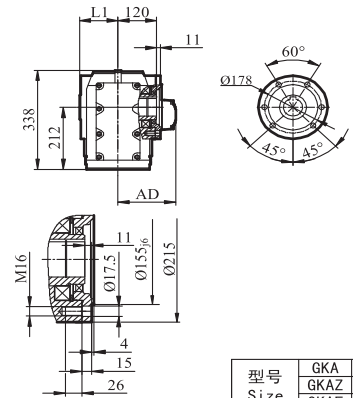
GKA87B GKH87B GKV87B



GKA/GKH/GHV87

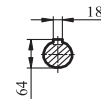
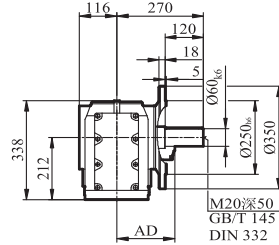
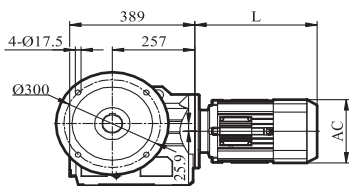


GKAZ/GKHZ/GHVZ87

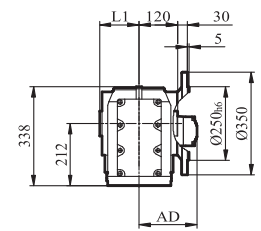


型号 Size	GKA GKAZ	GKH GKHZ	GKV GKVZ
L1	120	161	120

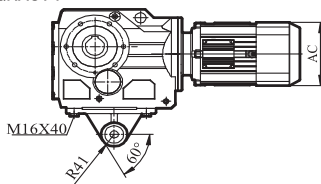
GKF87



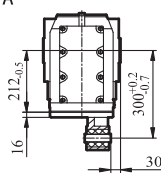
GKAF/GKHF/GKVF87



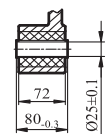
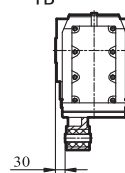
GKA87T



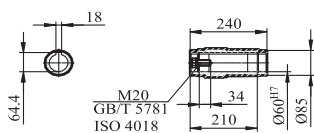
TA



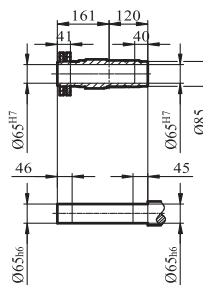
TB



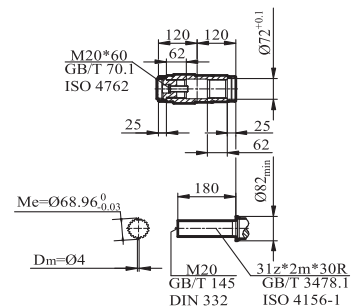
GKA/GKAZ/GKAF87输出轴



GKH/GKHZ/GKHF87输出轴



GKV/GKVZ/GKVF87输出轴



YE2电机机座号 Motor Size	80	90S	90L	100	112M	132S	132M	160M	160L	180M	180L
L	280	288	318	318	365	413	452	524	547	583	616
AC	170	190	190	210	230	280	280	315	315	350	350
AD	135	145	145	160	215	215	215	255	255	280	280